

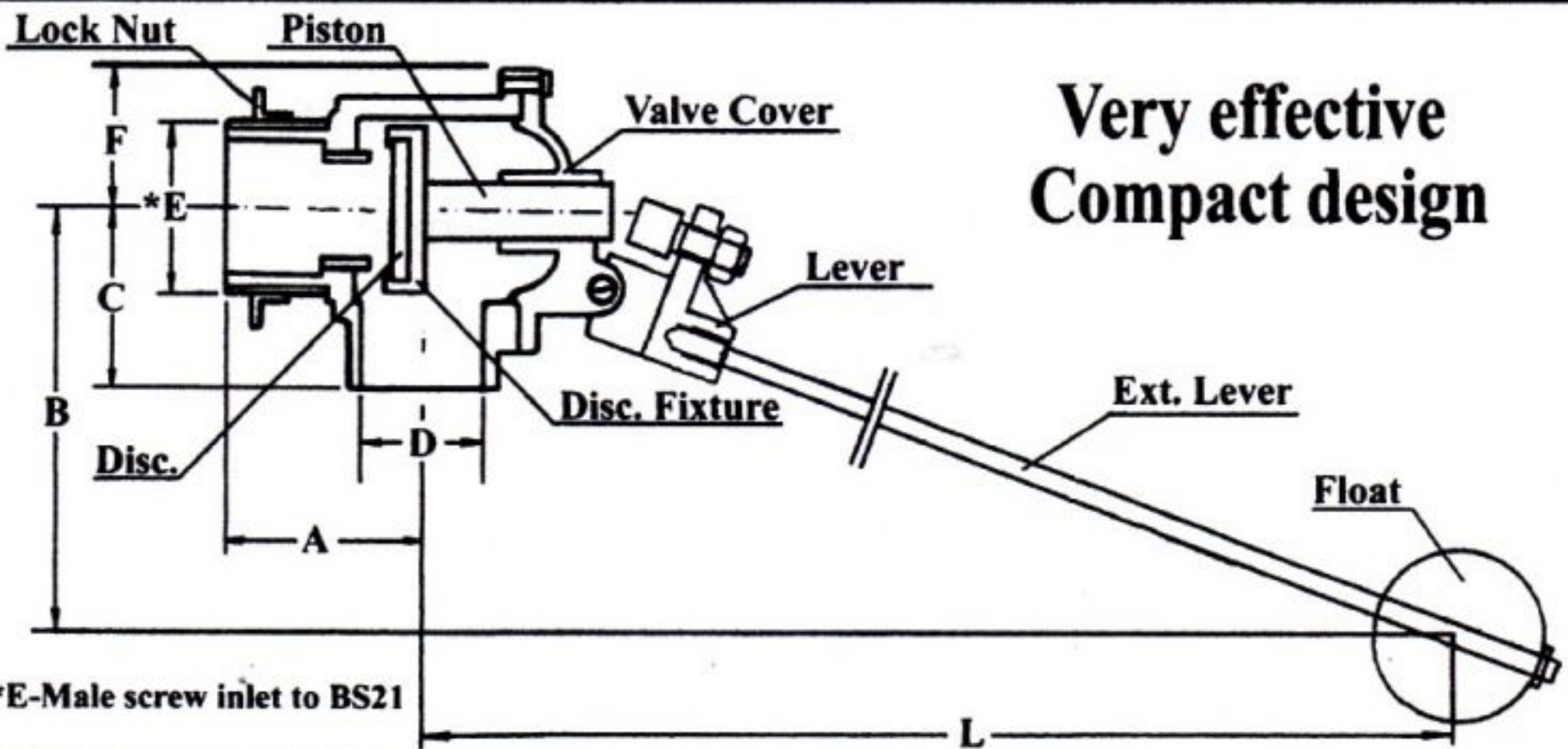
WELSON® Gunmetal Ball Valve

炮銅大吼波咯配銅波 / 鋼波 / 膠波



Parts & Materials

Item	Description	Material
1	Lever	Gunmetal BS 1400 LG2
2	Valve Cover	Gunmetal BS 1400 LG2
3	Piston	Gunmetal BS 1400 LG2
4	Disc.	H.G.S.N. Rubber
5	Disc Fixture	S.S. BS 970 'Grade 304'
6	Valve Body	Gunmetal BS 1400 LG2
7	Lock Nut	Gunmetal BS 1400 LG2
8	Float	Polyfoam / Copper / S.S.



Dimension

Size (E)		Dimension (mm)						Ext. Lever	Ball Float (inch)	
mm	inch	A	B	C	D	F	L	(inch)	Plastic	Copper
20	3/4"	43	100	33	20	25	500	3/8" x 24"	8"	8"
25	1"	48	130	35	25	30	500	3/8" x 24"	10"	8"
32	1-1/4"	51	150	45	32	33	520	3/8" x 24"	10"	8"
40	1-1/2"	66	150	52	40	40	600	1/2" x 30"	12"	10"
50	2"	52	170	53	50	48	650	1/2" x 30"	12"	12"
65	2-1/2"	90	250	67	65	58	700	1/2" x 30"	12"	12"

Pressure Application

Working Pressure : 14 bar (203 psi)

Testing Pressure : 20 bar (290 psi)

Features

Comply with BS1212 : Part 1 - (C1.24.1) Hydraulic Pressure Test & (C1.24.2) Shut-off Test .

Approval : Office of the Water Authority (Hong Kong)

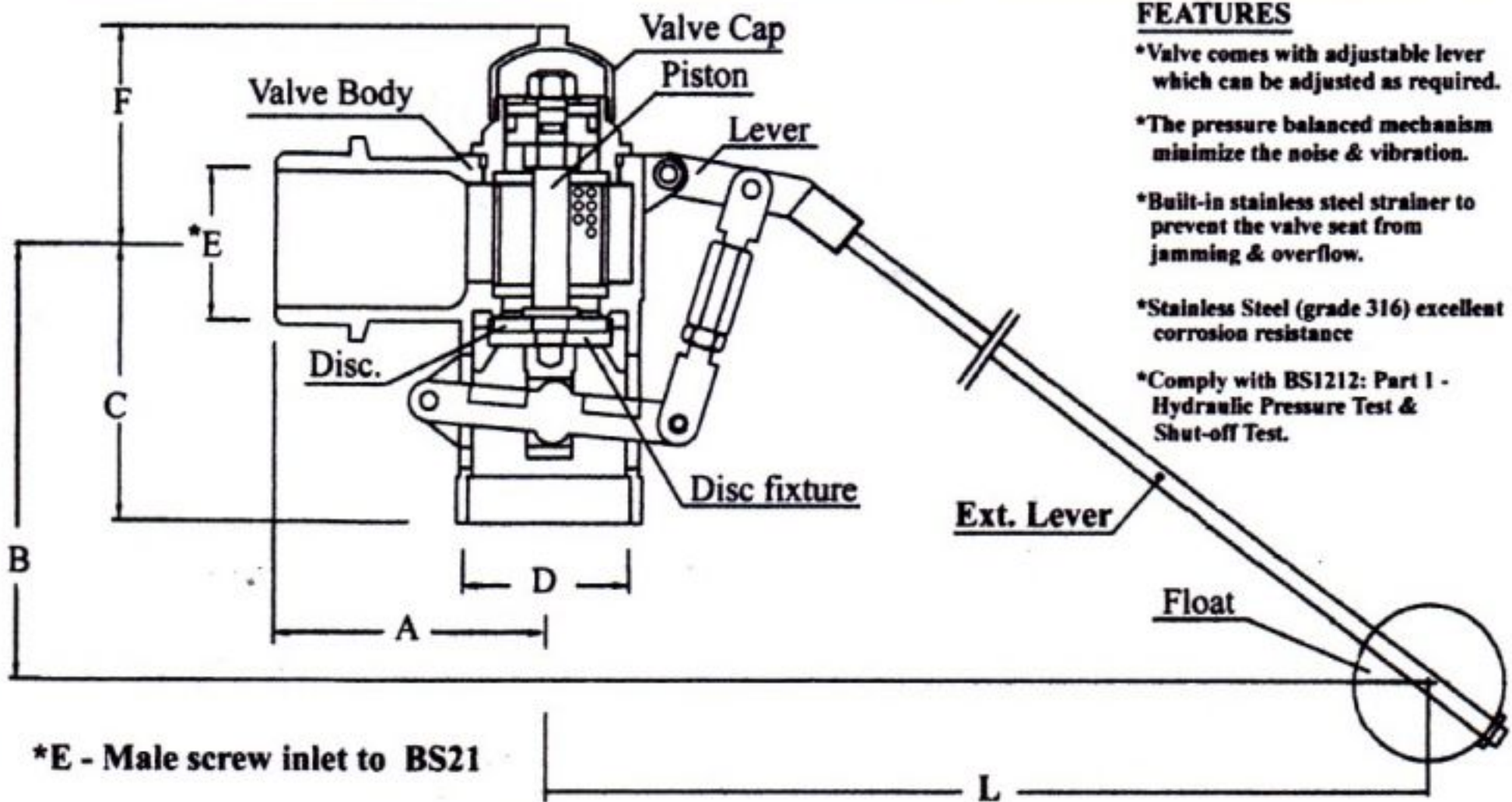
WELSON[®] Stainless Steel Ball Valve

不銹鋼垂直波略配銅波 / 鋼波 / 膠波



Parts & Materials

Item	Description	Material
1	Lever	S.S. BS 970 'Grade 316'
2	Valve Cap	S.S. BS 970 'Grade 316'
3	Piston	S.S. BS 970 'Grade 316'
4	Disc.	H.G.S.N. Rubber
5	Disc Fixture	S.S. BS 970 'Grade 316'
6	Valve Body	S.S. BS 970 'Grade 316'
7	Float	Polyfoam / Copper / S.S.



Dimension

Size (E)		Dimension (mm)						Ext. Lever	Ball Float (inch)	
mm	inch	A	B	C	D	F	L	(inch)	Plastic	Copper
25	1"	50	230	85	25	25	500	5/16" x 24"	8"	8"
40	1-1/2"	58	350	90	40	65	400	3/8" x 24"	10"	10"
50	2"	75	350	100	50	70	400	3/8" x 30"	10"	10"
65	2-1/2"	95	380	120	65	85	750	1/2" x 30"	12"	12"
80	3"	110	400	140	80	95	1000	1/2" x 48"	14"	12"
100	4"	140	420	170	100	105	1050	5/8" x 48"	14"	14"

Pressure Application

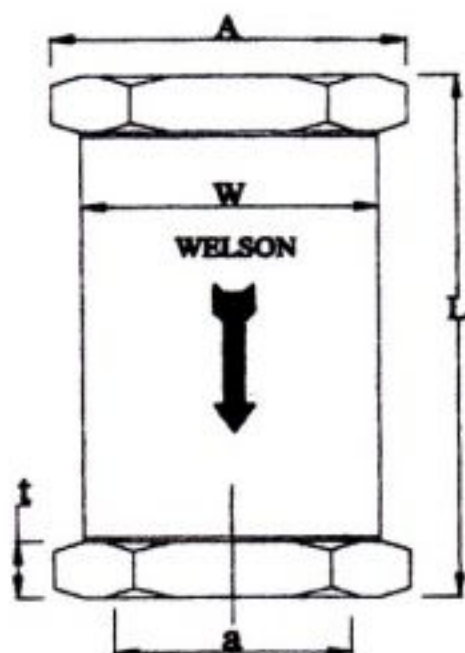
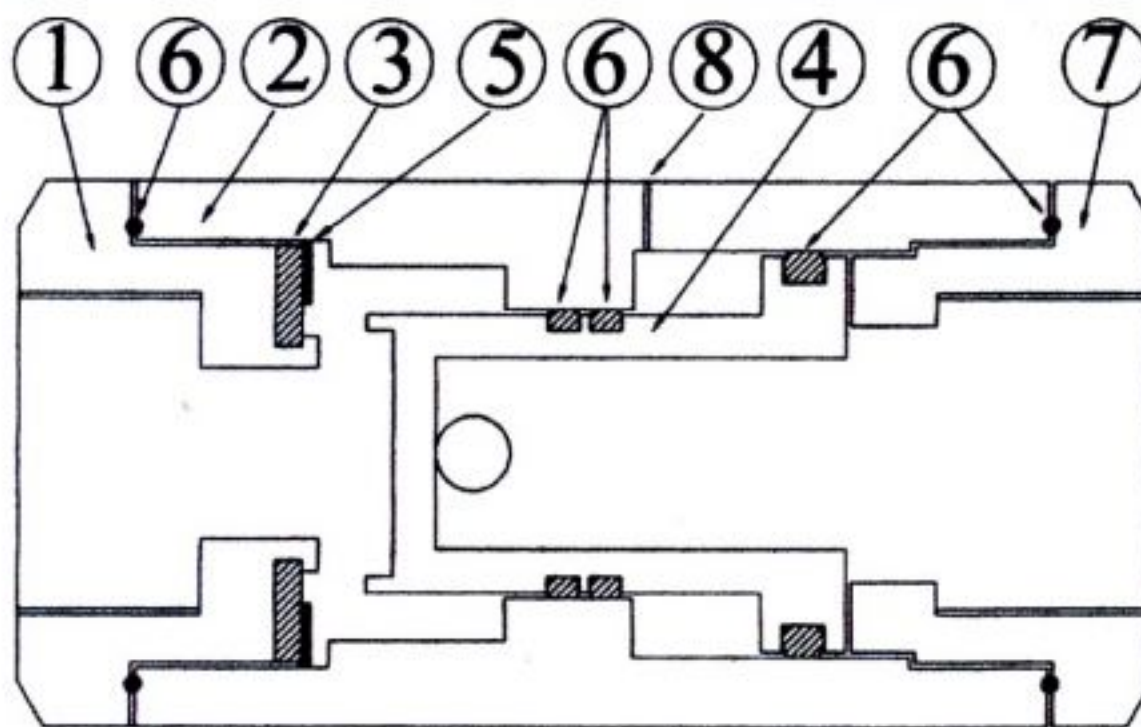
Working Pressure : 14 bar (203 psi)

Testing Pressure : 20 bar (290 psi)

Approval : Office of the Water Authority (Hong Kong)

WELSON[®] Pressure Reducing Valve

炮銅鋼芯上牙減壓掣 with fixed ratios of 2:1 / 3:1 / 3:2



Parts & Materials

Item	Description	Material
1	Inlet Connector	Gunmetal BS 1400 LG2
2	Valve Body	Gunmetal BS 1400 LG2
3	Seat	H.G.S.N. Rubber
4	Piston	Stainless Steel BS970-316S15
5	Washer	Gunmetal BS 1400 LG2
6	O Ring	H.G.S.N. Rubber
7	Outlet Connector	Gunmetal BS 1400 LG2
8	Air Hole	

Dimension

Size (a)		Dimensions (mm)		
mm	inch	L	A	t
25	1"	113	66	13
32	1-1/4"	113	66	13
40	1-1/2"	161	94	23
50	2"	175	106	27
65	2-1/2"	180	121	27
80	3"	195	130	28
100	4"	226	156	31

Features

Optionally with special wear resistant "Teflon" coating on bore and piston for flush water system.

Pressure Application

Working Pressure : 20 bar (290 psi)

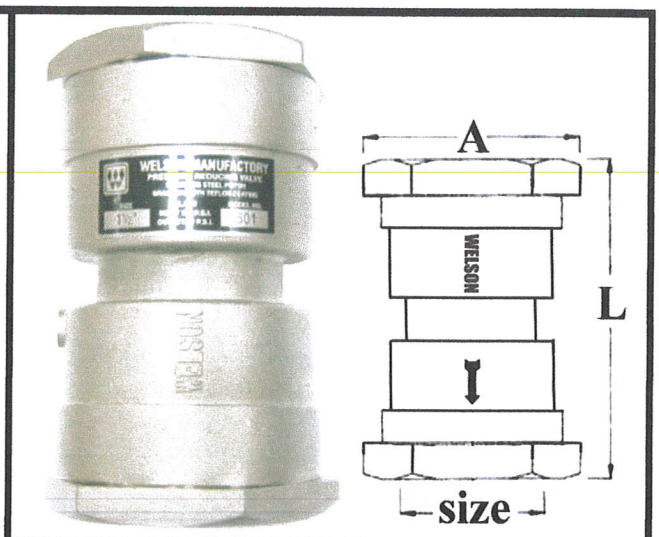
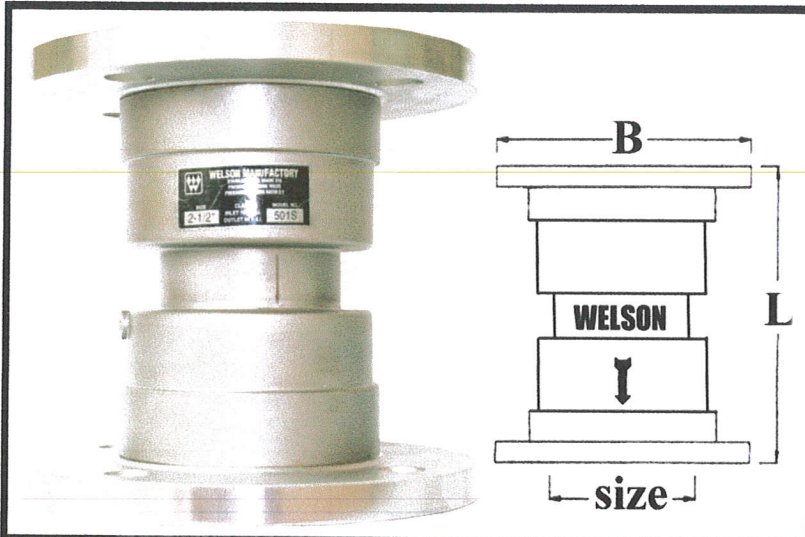
Testing Pressure : 24 bar (348 psi)

Specifications

Female Screw Body Ends to BS21

WELSON® 501S, Pressure Reducing Valve

不銹鋼 316 上牙/佛冷減壓掣

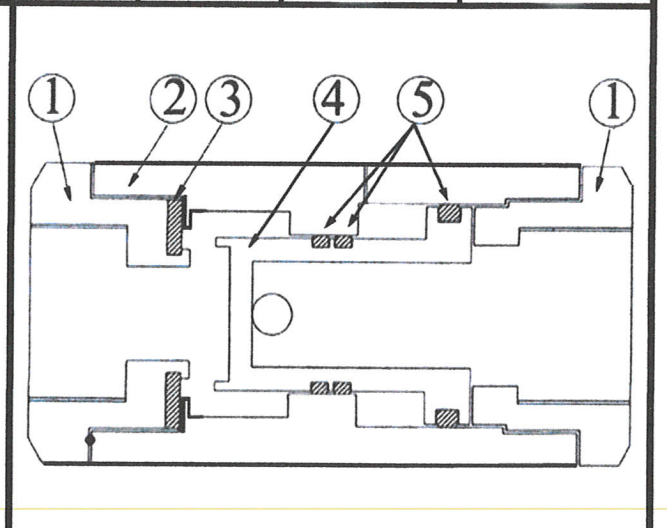
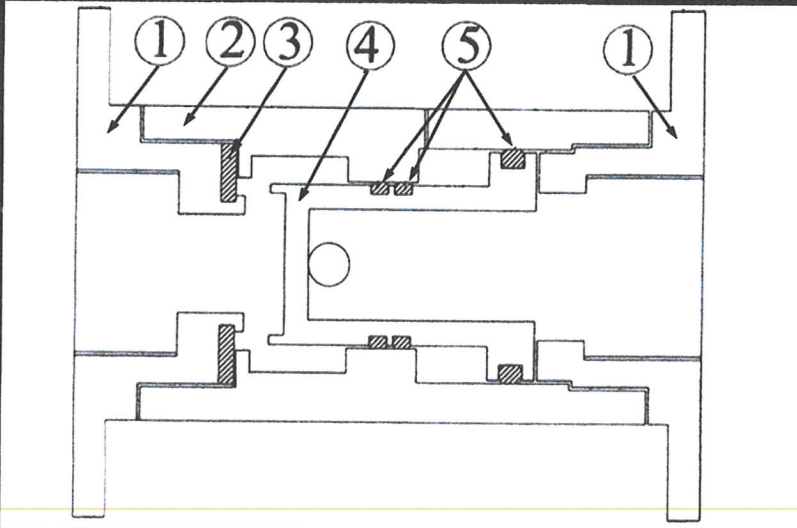


Dimensions (Flange Connection)

Dimensions (Screw Connection)

Size (mm / inch)	L	B
40 1-1/2"	X	X
50 2"	X	X
65 2-1/2"	160	185
80 3"	180	200
100 4"	203	220

Size (mm / inch)	L	A
25 1"	106	56
32 1-1/4"	106	56
40 1-1/2"	130	87
50 2"	130	87
65 2-1/2"	X	X



Parts & Materials

Item	Description	Material
1	Screw / Flange Connection	Stainless steel - 316
2	Valve Body	Stainless steel - 316
3	Seat	H.G.S.N. Rubber
4	Piston	Stainless steel - 316
5	O Ring	H.G.S.N. Rubber

Specifications

- Screw Body Ends to BS21
- Flange Body Ends to BS4504 PN16
- Fixed Ratio of 2:1

Pressure Application

- Working Pressure : 20 bar (290 Psi)
- Testing Pressure : 24 bar (328 Psi)

- Features:**
- Stainless Steel grade 316 material is goog corrosion & wear resistant for flush (sea) water.
 - High flow rate when compared with spring type pressure reducing valve.
 - Very reliable due to only one moving part that means minimun maintenance is required.